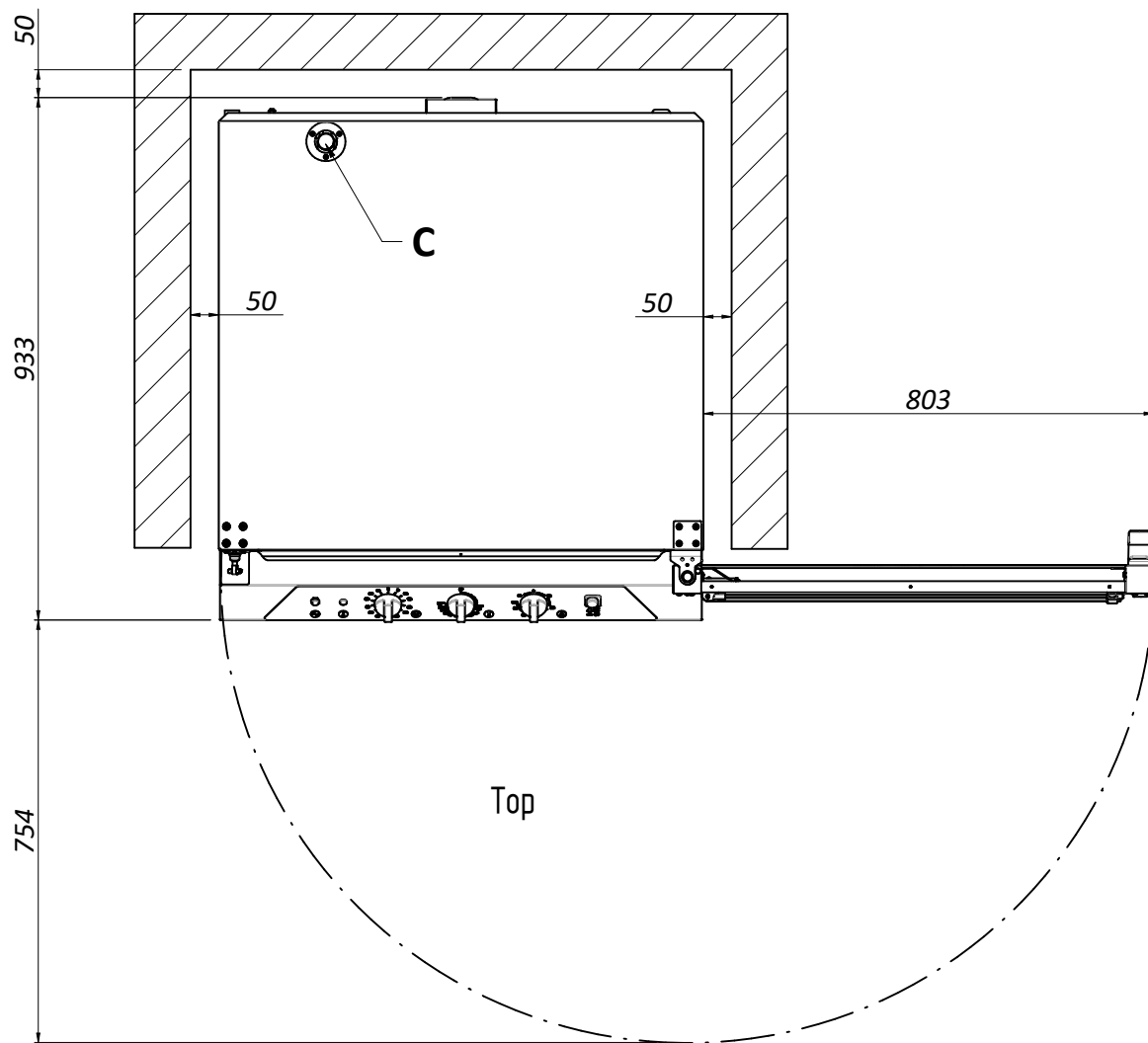
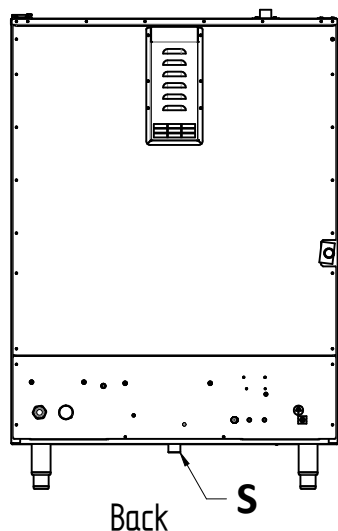


Front



Top



Back

C: Steam outlet chimney / Air inlet chimney
S: Drain water

Dimensions and weight

Oven width: 863 mm
Oven depth: 952 mm
Oven height: 1280 mm
Net weight full optional: 120 Kg

Packaging width: 975 mm
Packaging depth: 1110 mm
Packaging height: 1300 mm
Weight with packaging full optional: 140 Kg
Packaging volume: 1,4 m³

Installation

Minimum left side distance: 50 mm
Minimum right side distance: 50 mm
Minimum back distance: 50 mm
Min. distance from heat sources: 500 mm

Electrical connection

Supply: 380-415 V 3N 50/60 Hz
230 V 3P 50/60 Hz

Max power: 16 Kw

Current: 25 A
40 A

Cable: 5x4mm² H07RN-F
4X10mm² H07RN-F

Water connection

Steam water connection V1: 3/4" softened
Water pressure: 1.5-5 bar
Water hardness: 4° d
Minimum Condutance: 50 µS/cm
Exhaust size S: 32 mm

Capacity

Trays type: 6040
Number of trays: 10

Distance between trays: 80 mm

Max load: 45 Kg
Max load single tray: 5 kg

IP rating: IPx4