

- C:** Steam outlet chimney / Air inlet chimney
- V1:** Washing solenoid valve
- V2:** Steam solenoid valve
- E:** Electric connection
- S:** Drain water

### Dimensions and weight

Oven width: 900 mm  
 Oven depth: 890 mm  
 Oven height: 1915 mm  
 Net weight full optional: 225 Kg

Packaging width: 980 mm  
 Packaging depth: 1010 mm  
 Packaging height: 2095 mm  
 Weight with packaging full optional: 265 Kg  
 Packaging volume: 2.07 m<sup>3</sup>

### Installation

Minimum left side distance: 500 mm  
 Minimum right side distance: 50 mm  
 Minimum back distance: 50 mm  
 Min. distance from heat sources: 500 mm

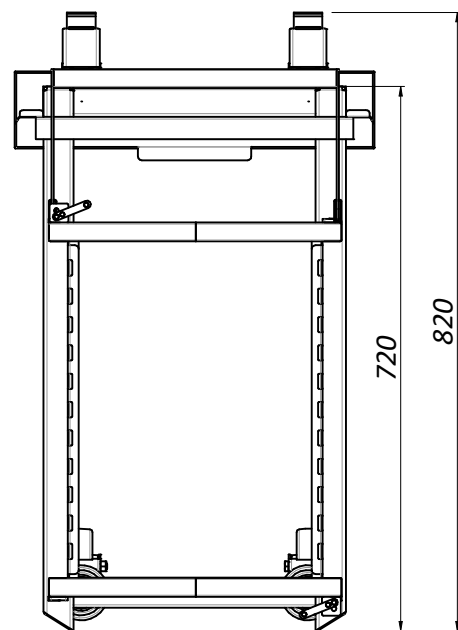
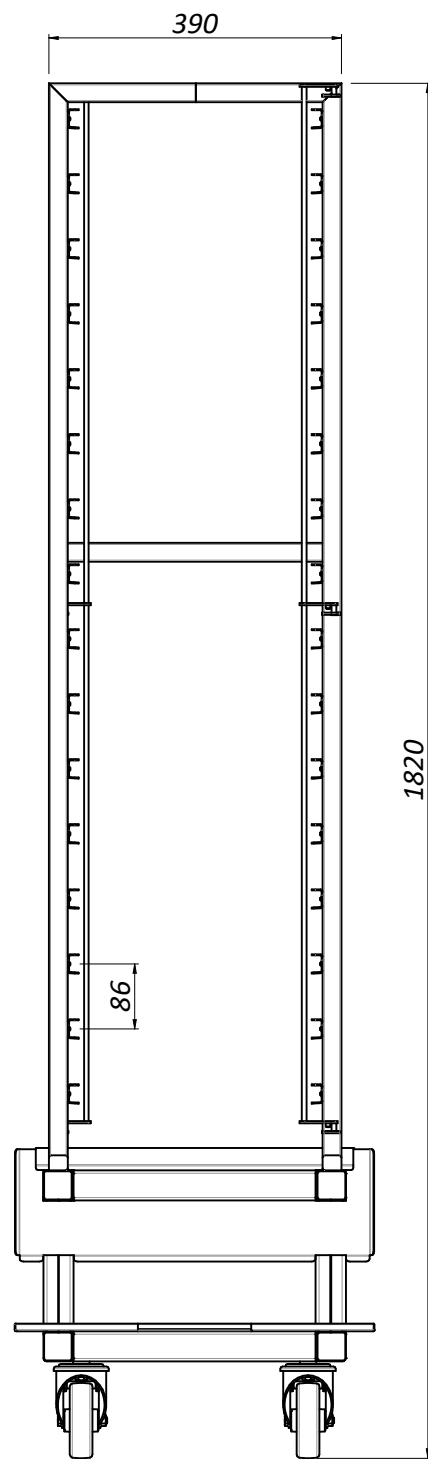
### Electrical connection

Supply: 380-415 V 3N 50/60 Hz  
 Max power: 31,5 kW  
 Current: 49 A  
 Cable: 5x10 mm<sup>2</sup>  
 H07RN-F

### Water connection

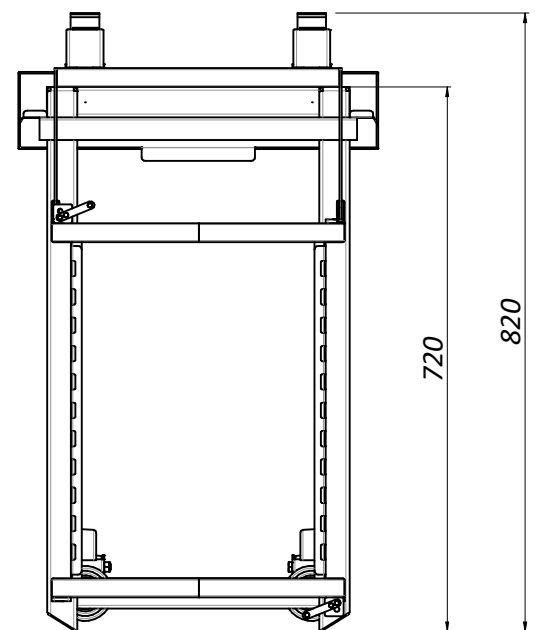
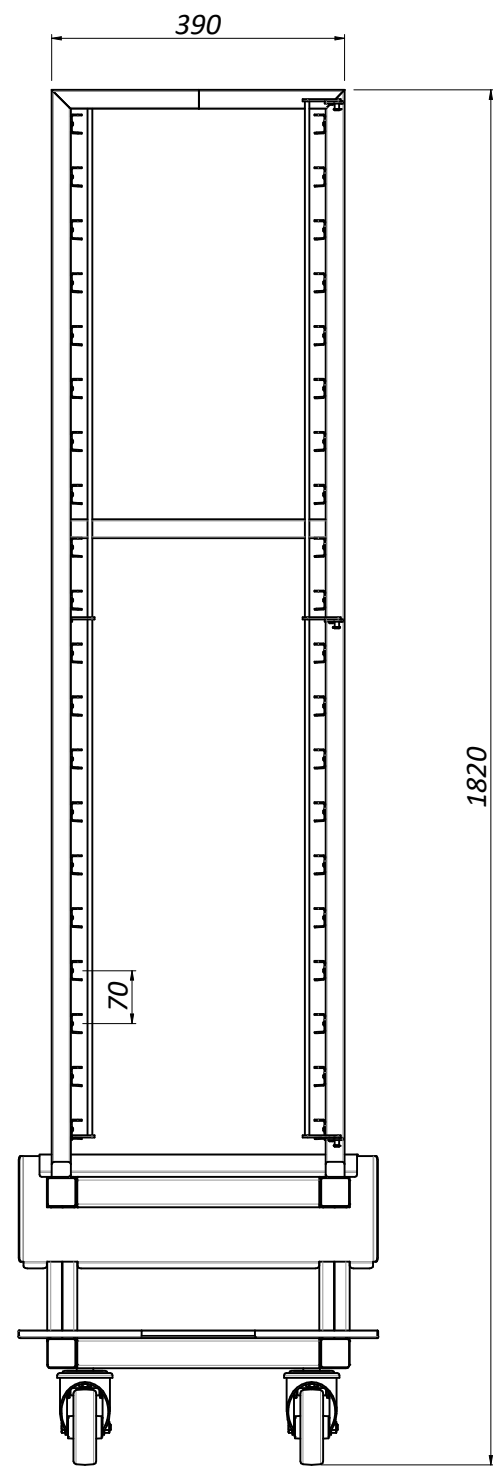
Water wash connection V1: 3/4"  
 Steam water connection V2: 3/4" Softened  
 Water pressure: 1.5-5 bar  
 Max water hardness: 4° d  
 Minimum Condutance: 50 µS/cm  
 Exhaust size S: 32 mm

**IP rating: IPx4**



Capacity trolley

Trays type: GN11  
 Number of trays: 16  
 Distance between trays: 85 mm  
 Weight Trolley: 37 Kg  
 Max load: 90 Kg



Capacity trolley

Trays type: GN11  
 Number of trays: 20  
 Distance between trays: 70 mm  
 Weight Trolley: 37 Kg  
 Max load: 90 Kg