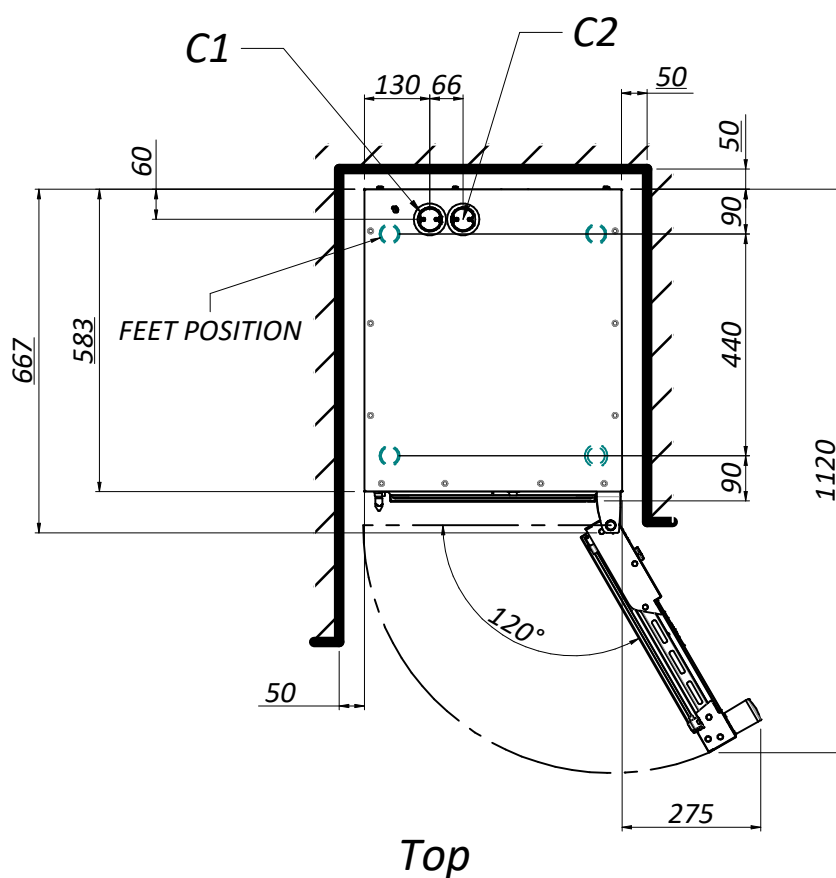
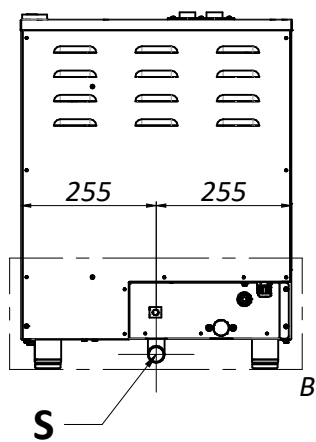


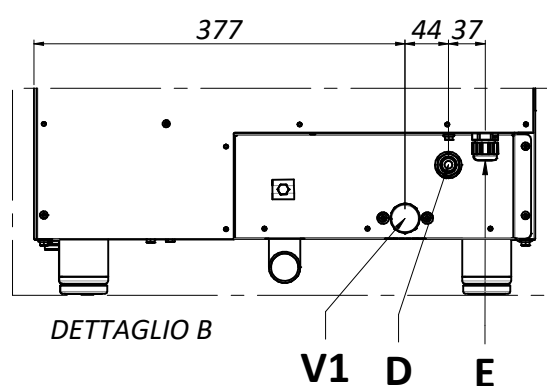
Front



Top



Back



- C1:** Air inlet chimney
- C2:** Steam outlet chimney
- V1:** Washing solenoid valve
- D:** Detergent supply
- E:** Electric connection
- S:** Drain water

Dimensions and weight

Oven width: 510 mm
Oven depth: 667 mm
Oven height: 660 mm
Net weight full optional: 54.5 kg

Packaging width: 590 mm
Packaging depth: 785 mm
Packaging height: 820 mm
weight with packaging full optional: 64.0 kg
Packaging volume: 0.38 m³

Installation

Minimum right side distance: 50 mm
Minimum back distance: 50 mm
Min. distance from heat sources: 50 mm

Electrical connection

Supply: 380-415 V 3N 50/60 Hz
230 V 3P 50/60 Hz

Max power: 5.1 kW

Current: 11.0 A
18.0 A

Cable: 5x1.5 mm² H07RN-F
4x2.5 mm² H07RN-F

Water connection

Water wash connection V1: 3/4"
Water pressure: 1.5-5 bar
Water hardness: 4° d
Minimum Condutance: 50 µS/cm
Exhaust size S: 32 mm

Capacity

Trays type: GN2/3
Number of trays: 5
Distance between trays: 70 mm
Max load: 17.5 kg
Max load single tray: 3.5 kg

IP rating: IPx4